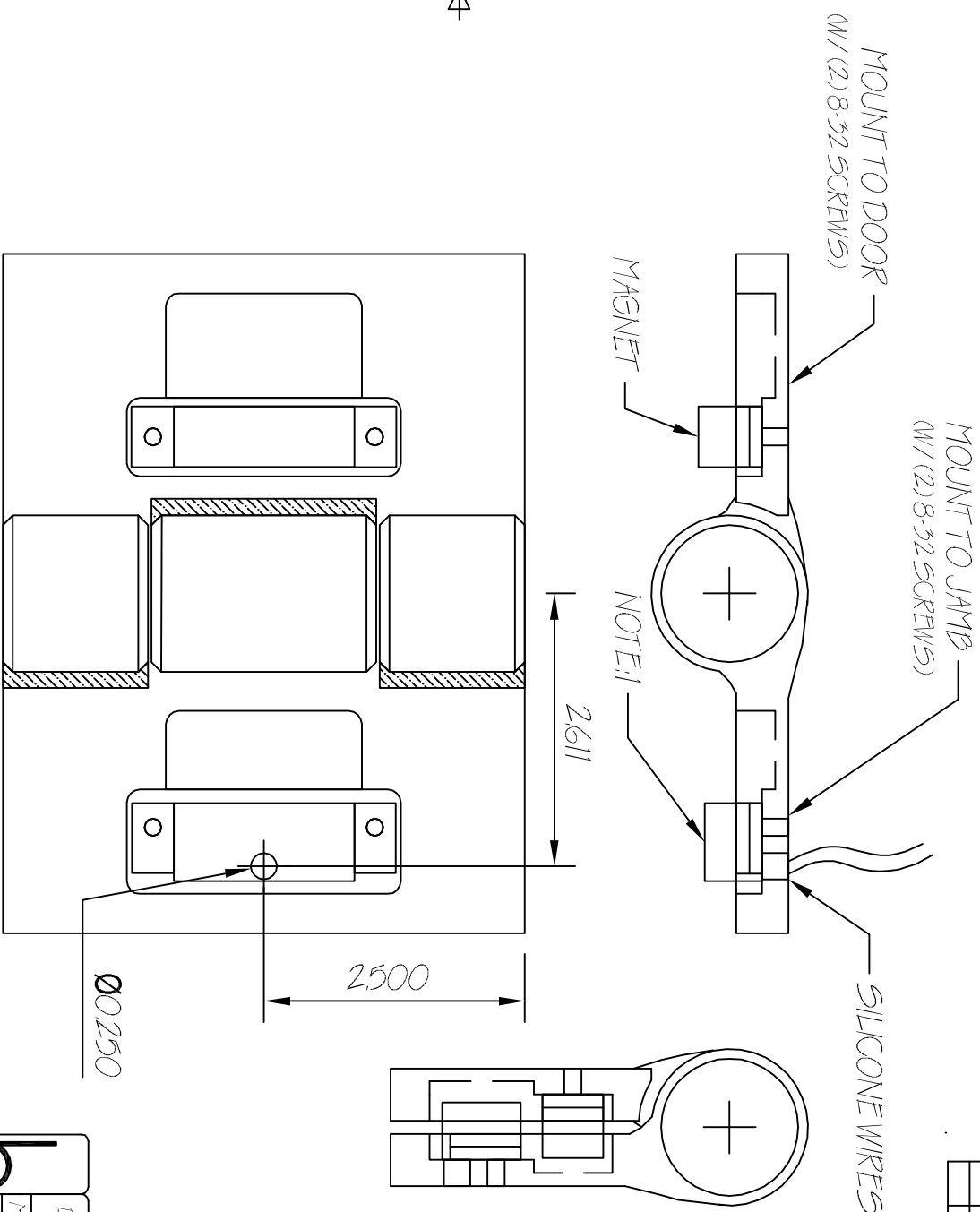


Tolerances Decimals +/-0.005 UNF Fractions +/-1/16 Angles +/-1/16

Rev.	Revision Note	Date	By	Check
1	ADDITIONAL NOTES	8/1/11		



NOTES:  
 1) WHEN MAGNET IS IN PROXIMITY, SWITCH IS CLOSED.  
 SPST STANDARD SPDT (OPTIONAL)  
 RATING:  
 VOLTAGE 100V AC/DC  
 0.5 MAX AMPS  
 75 WATTS  
 WIRE:  
 2 LEADS 20 AWG  
 300V, 105 DEG C

DOOR POSITION SWITCH (DPS)  
 Material 1078CRS/304 ~~Stainless Steel~~ 2/04  
 1-850-81-8515 MODIFIED FOR DPS  
 proof field industries inc.  
 99 West Hillside Ave. Thompson, CT  
 P: (860) 283-6211 F: (860) 283-6123  
 info@prooffieldindustries.com  
 www.prooffieldindustries.com  
 Drawn by KPX  
 Checked by XXX  
 Scale 1:1  
 Date 8/1/11  
 Part No. 18500-DPS2

