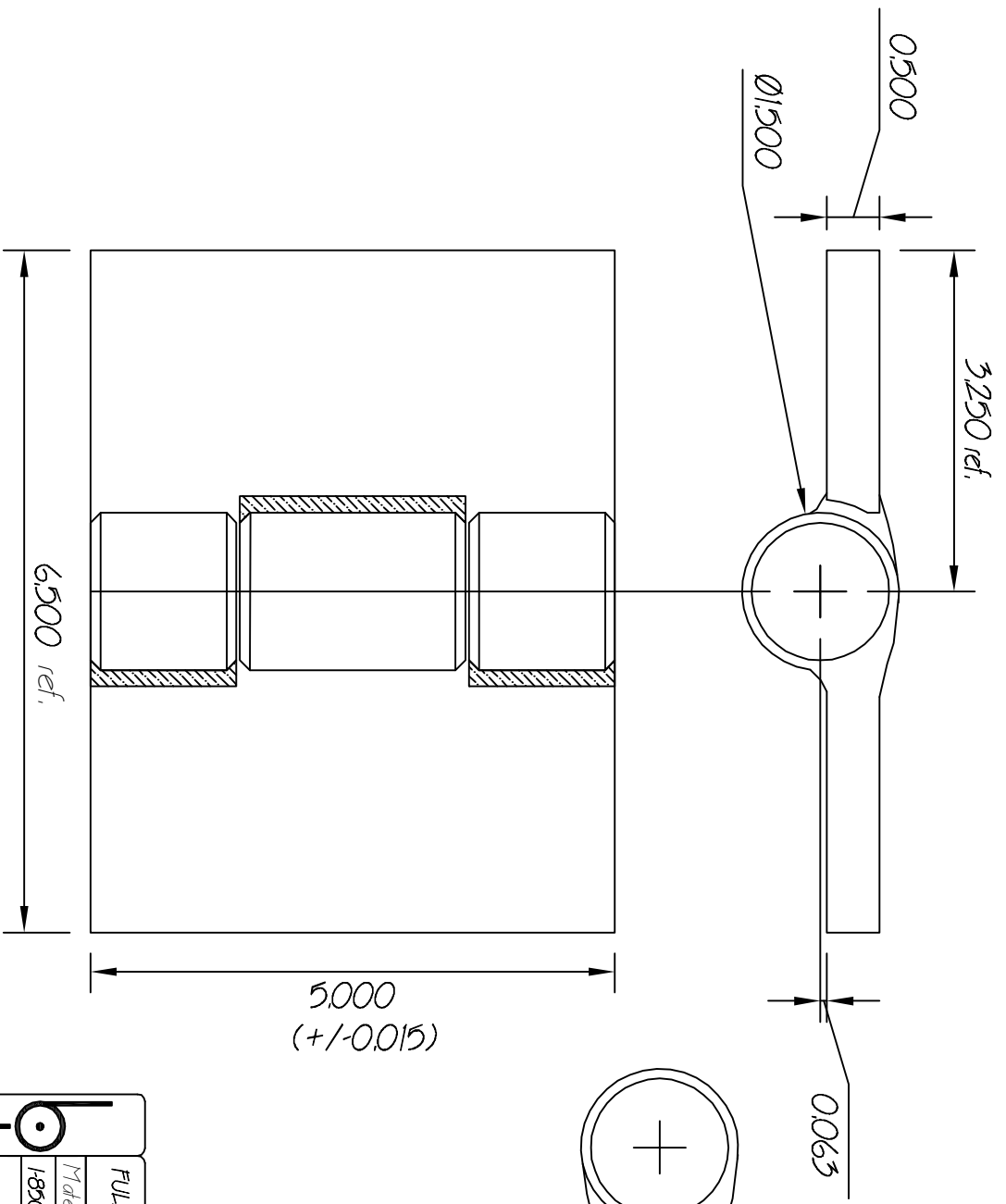


Tolerances	Decimal ± 0.0005 UNQ	Fractional $\pm 1/32$	Angular $\pm 1/32$
------------	--------------------------	-----------------------	--------------------

Rev.	Revision note	Date	Drawn	Check



FULL MORTISE
 1-85008, 1-8513
 ALL DIMENSIONS IN INCHES

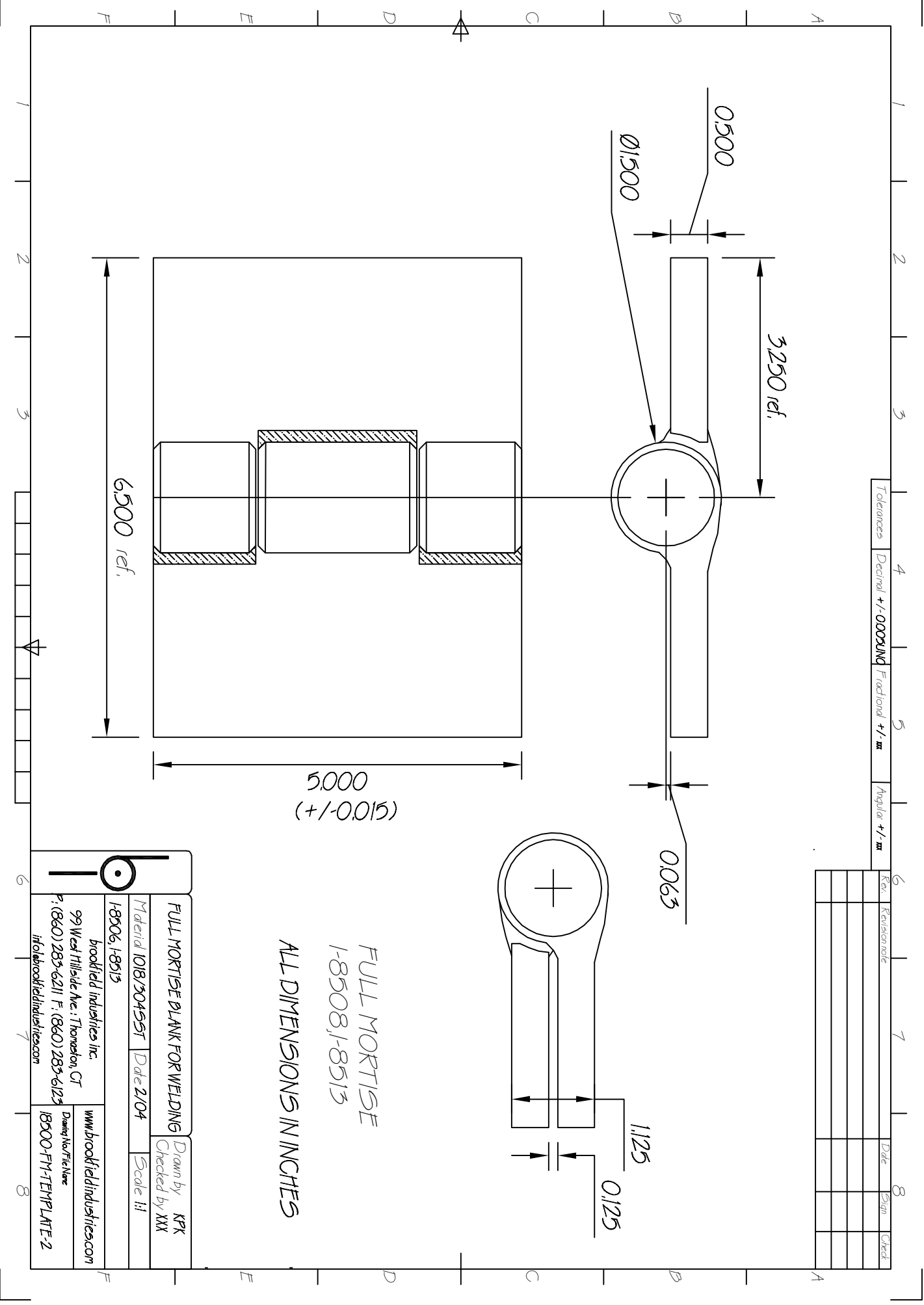
FULL MORTISE BLANK FOR WELDING

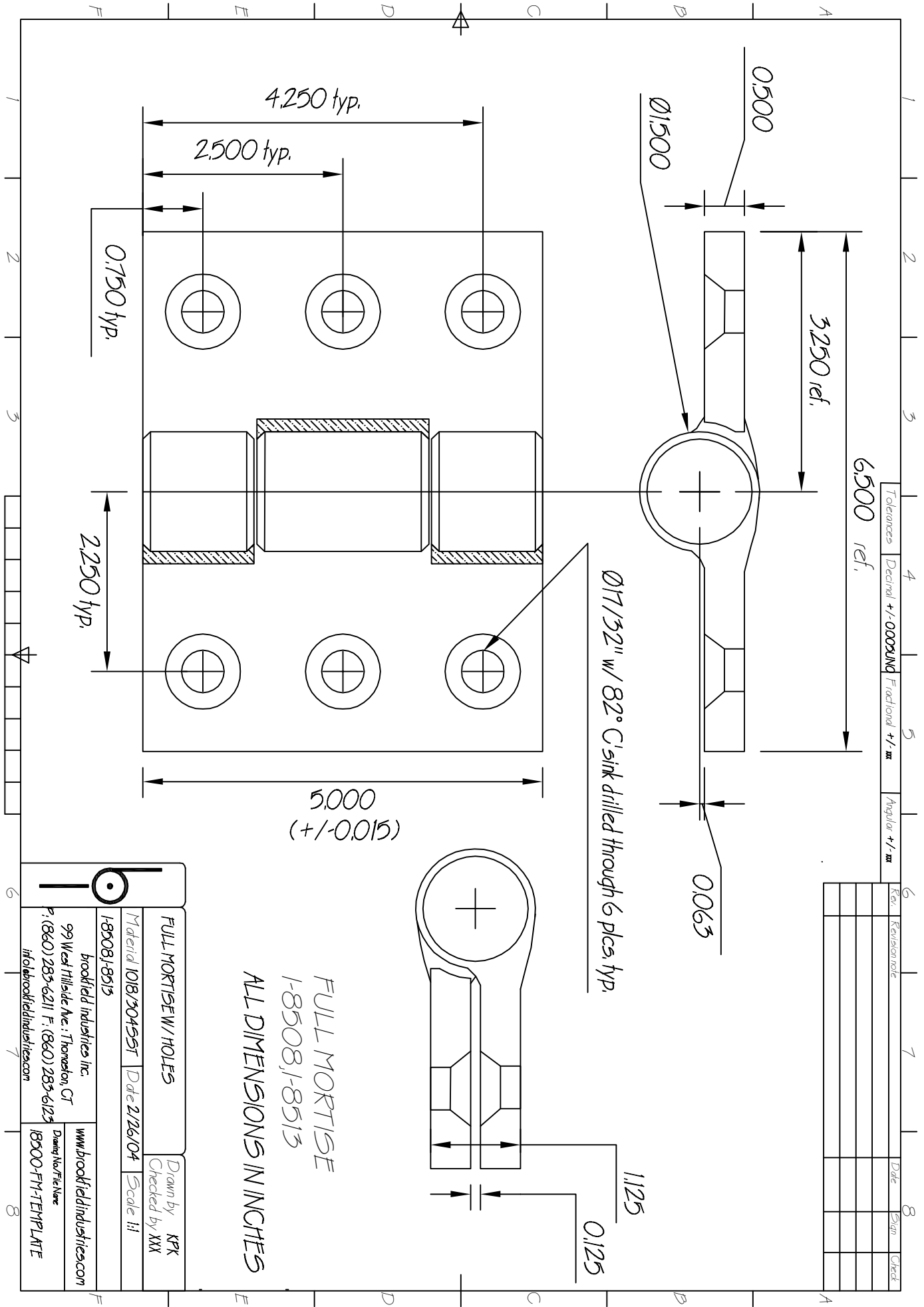
Material 1018 3045ST Date 2/04
 1-8506, 1-8515

Drawn by KRK
 Checked by XXX
 Scale 1:1

brookfield industries inc.
 99 West Hillside Ave.: Thomaston, CT
 P: (860) 283-6211 F: (860) 283-6123
 info@brookfieldindustries.com

www.brookfieldindustries.com
 Drawing No./File Name
 18500-FM1-TEMP PLATE-2





Tolerances	Decimal	Fractional	Angular
	$\pm 0.0005 \text{ UNF}$	$\pm 1 \text{ mm}$	$\pm 1 \text{ mm}$

Rev.	Revision note	Date	Drawn	Check

$\text{Ø}1.125$ w/ 82° C'sink drilled through 6 ples, typ.

FULL MORTISE
1-85081-8513
ALL DIMENSIONS IN INCHES

FULL MORTISE W/ HOLES	
Material 1018/3045ST	Date 2/26/04
1-85081-8513	Scale 1:1
Drawn by KRK	Checked by XXX
brookfield industries inc. 99 West Hillside Ave. : Thomaston, CT P: (860) 283-6211 F: (860) 283-6123 info@brookfieldindustries.com	
www.brookfieldindustries.com Drawing No/Rev New 18500-FM1-TEMPLATE	