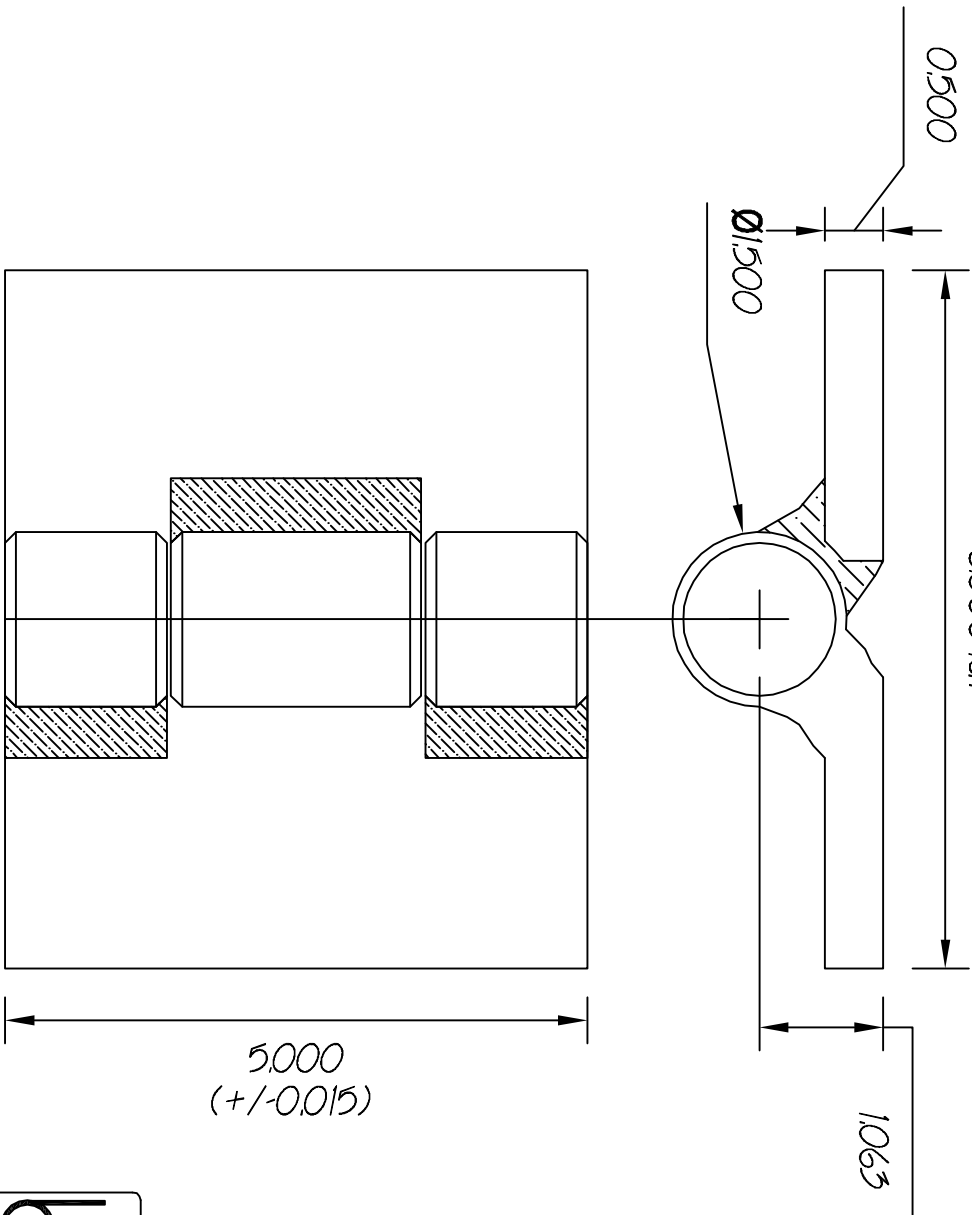


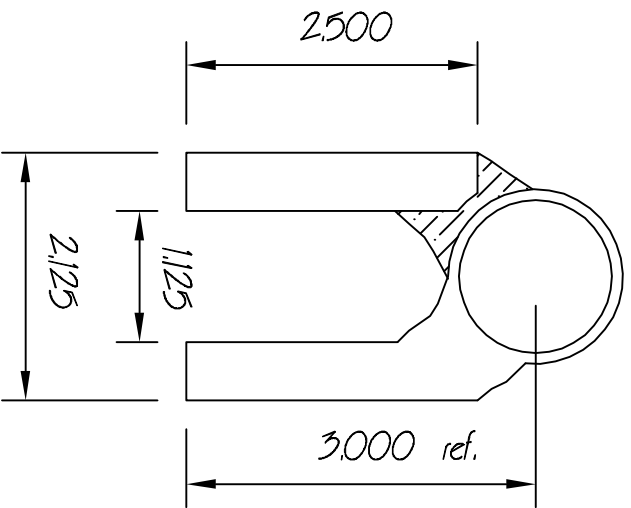
Tolerances Decimal $\pm/-.0005$ UNF Fractional $\pm/-.mm$ Angular $\pm/-.mm$

1-8505, 1-8510
Full Surface mounted



ALL DIMENSIONS IN INCHES

1-8507, 1-8512
Gap mounted



Revision	Date	By	Check
2	2/04	KPK	
ADD GAP HINGE			

FULL SURFACE/GAP BLANK

Material 1018CR5/304L Plate 02/25/04 Scale 1:1

1-8505, 1-8510, 1-8507, 1-8512

brookfield industries inc.
99 West Hillside Ave.: Thomaston, CT
P: (860) 283-6211 F: (860) 283-6123
info@brookfieldindustries.com

www.brookfieldindustries.com
Drawing No./File Name
18500-FS-TEMP LATE-2

Drawn by: KPK
Checked by: XXX