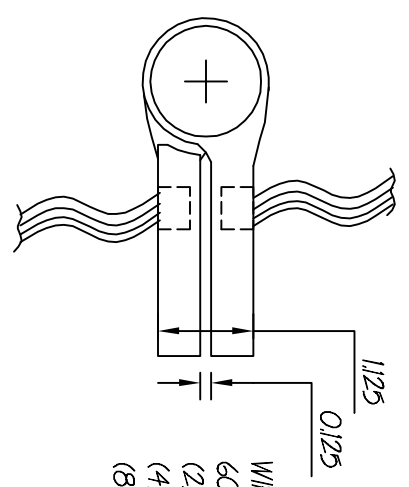
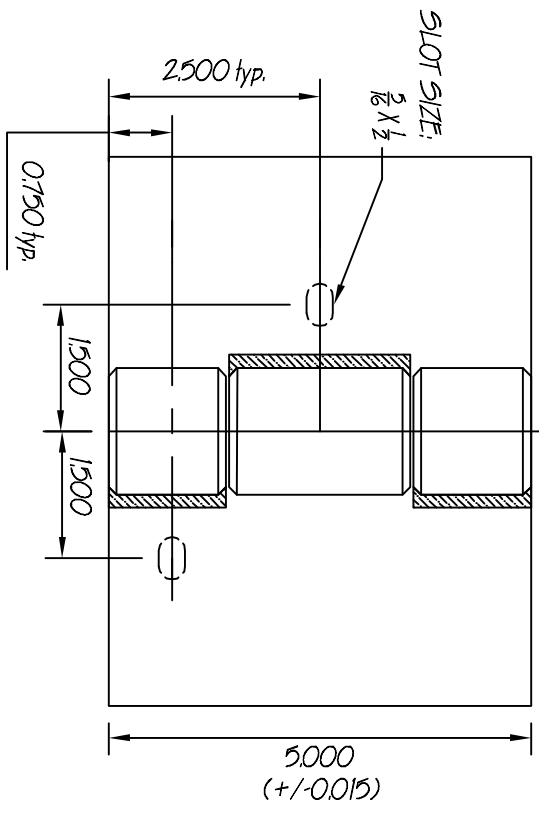
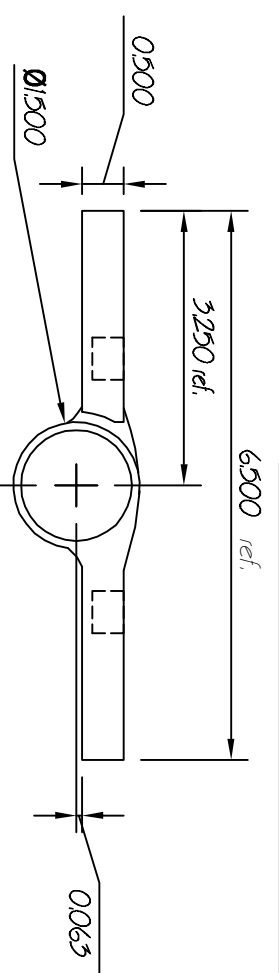


A B C D E F

1 2 3 4 5 6 7 8



WIRE SPECIFICATIONS:
600 VOLT, 200 DEG. C
(2) WIRE: 20 GAGE
(4) WIRE: 22 GAGE
(8) WIRE: 26 GAGE


WARNING!

IMPORTANT INSTALLATION INSTRUCTIONS

THE (ETH) HINGE IS NOT A LOAD BEARING HINGE AND MUST BE INSTALLED AS THE CENTER HINGE IN A (3) HINGE SYSTEM. THE (2) OUTER HINGES MUST BE 18508 OR 18515 LOAD BEARING HINGES. ASSURE THE DOOR IS FULLY SUPPORTED WITH (2) LOAD BEARING HINGES FIRST. INSTALL THE (ETH) HINGE LAST.

| | | | |
|------------|----------------------|------------------|---------------|
| Tolerances | Decimal +/-0.0005UN3 | Fractional +/-mm | Angular +/-mm |
|------------|----------------------|------------------|---------------|

| Rev. | Revision note | Date | Drawn | Check |
|------|---------------|---------|-------|-------|
| 1 | ADD NOTES | 2-25-14 | | |
| | | | | |
| | | | | |
| | | | | |
| | | | | |

| | |
|--|------------------------------|
|  | |
| ELECTRIC TRANSFER HINGE(ETH) | |
| Material 101830455T | Date 2/10/10 |
| 18508-ETH HINGE IS NON-LOAD BEARING | |
| brookfield industries inc. | www.brookfieldindustries.com |
| 99 West Hillside Ave. : Thomaston, CT | Drawn/No/Flt Name |
| P: (860) 283-6211 F: (860) 283-6123 | 18508-ETH-2 |
| info@brookfieldindustries.com | |

A B C D E F